

QUARTER-FRAME END-DUMP TRAILER



# SPEC SHEET



LET'S PULL TOGETHER

# QUARTER-FRAME

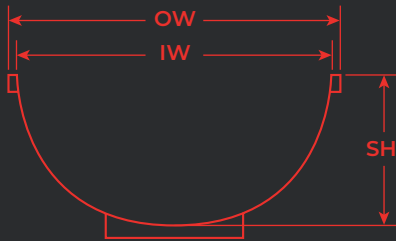
Our quarter-frame trailers are engineered for optimal performance and versatility, making them a perfect choice for hauling asphalt and aggregates. Available in lengths ranging from 23 to 28 feet, these trailers are lightweight yet durable, allowing for easier maneuverability and increased payload capacity. Their compact frame doesn't sacrifice strength or functionality, making them ideal for both urban settings and rugged job sites. Choose our quarter-frame trailers for a high-performance solution that enhances efficiency and meets the diverse needs of your hauling operations.

## SPECS

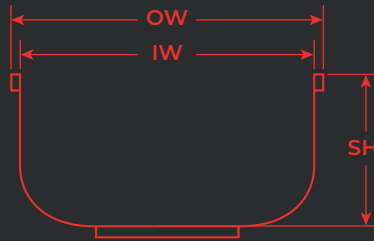
- 23' to 28' long
- Half-round or flat-bottom tubs
- 56" to 62" wall height
- Lightweight
- Swing or high-lift tailgates
- 22.8 to 30.8 cubic yard capacity
- As light as 11,500 lbs.

## FEATURES

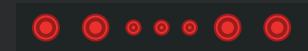
- Cut-resistant construction tires
- Seamless sides
- Electrical protected by steel conduit
- Ultra-durable MICI paint
- Custom bushings take and hold grease
- No doghouse for easier cleanout
- Equal pressure on all axles
- Universal glad hand operates air tailgate latches
- All eight wheels remain on the ground throughout dump cycle



**Half-Round Tub**  
HARDOX® 500  
Floor and Side  
Wall Material

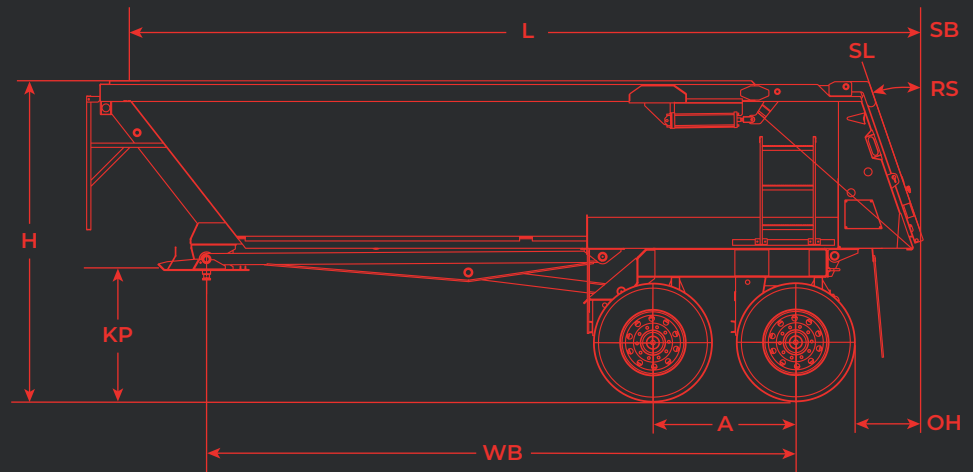


**Flat-Bottom Tub**  
HARDOX® 500  
Floor and Side  
Wall Material



**Chasis Taillights**  
Standard on all  
Family models

**Quarter-Frame**  
Engineered for optimal  
performance and versatility



# QUARTER-FRAME END-DUMP TRAILER—OVERALL LENGTH AND SUSPENSION OPTIONS

Tub Length (L)	Feet	23'						26'						28'			30'				
Tub Style		RB			SB			RB			SB			SB			SB				
Outside Width (OW)	Inches	102"			96"			102"			96"			96"			96"				
Inside Width (IW)	Inches	96"			90"			96"			90"			90"			90"				
Weight (SL) <sup>5</sup>	lbs	12,000	12,000	12,500	12,400	12,400	12,400	12,500	12,500	13,100	13,100	13,300	13,800	13,500	13,800	14,300	13,700	15,000	15,600		
Weight (SB) <sup>5</sup>	lbs	NA			11,200	11,400	12,000	NA			11,700	11,900	12,500	See your salesperson for details			See your salesperson for details				
Volume (SL)	Cu Yds	22.9			24.8			26.1			28.4			30.8			33.1				
Volume (SB)	Cu Yds	NA			25.8			NA			29.3			31.7			34.0				
Floor Crossmember Size		NA	NA	NA	STD: C4 x 5.4#			NA			See Options			See Options			See Options				
Floor Crossmember Spacing	Inches	NA	NA	NA	12"			NA			16"			16"			16"				
King Pin Hieght <sup>2</sup> (KP)	Inches	49" - 50"			46.5" - 47.5"			49" - 51.5"			46.5" - 47.5"			46.5" - 47.5"			46.5" - 47.5"				
Suspension Type		Air Ride		Single Point		Air Ride		Single Point		Air Ride		Single Point		Air Ride		Single Point		Air Ride		Single Point	
Suspension	MFG	RIDEWELL 260 (60K) Air Ride	STD: WATSON 50K Single Point, 3 Leaf	OPT: WATSON 70K Single Point, 10 Leaf	RIDEWELL 260 (60K) Air Ride	STD: WATSON 50K Single Point, 3 Leaf	OPT: WATSON 70K Single Point, 10 Leaf	RIDEWELL 260 (60K) Air Ride	STD: WATSON 50K Single Point, 3 Leaf	OPT: WATSON 70K Single Point, 10 Leaf	RIDEWELL 260 (60K) Air Ride	STD: WATSON 50K Single Point, 3 Leaf	OPT: WATSON 70K Single Point, 10 Leaf	RIDEWELL 260 (60K) Air Ride	STD: WATSON 50K Single Point, 3 Leaf	OPT: WATSON 70K Single Point, 10 Leaf	RIDEWELL 260 (60K) Air Ride	STD: WATSON 50K Single Point, 3 Leaf	OPT: WATSON 70K Single Point, 10 Leaf		
King Pin to Center of front Most Axle (WB-A)	Inches	161.25"	163.75"	162.5"	157.78"	160.19"	159.03"	195.75"	198.18"	197.02"	196.24"	198.64"	197.48"	227.69"	230.08"	228.92"	250.96"	253.35"	252.19"		
King Pin to center of rear Axle (WB)	Inches	211.75"	214.25"	215.50"	208.28"	210.87"	212.03"	246.25"	248.86"	250.02"	246.74"	249.32"	250.48"	278.19"	280.76"	281.92"	301.46"	304.03"	305.19"		
Kingpin to Center of rear two axles	Inches	186.5"	189"	189"	183.03"	185.53"	185.53"	221.00"	223.52"	223.52"	221.49"	223.98"	223.98"	252.94"	255.42"	255.42"	276.21"	278.69"	278.69"		
Unloaded Axle Spacing (Tandem)	Inches	50.5"	50.75"	53"	50.50"	50.68"	53.00"	50.50"	50.68"	53.00"	50.50"	50.68"	53.00"	50.50"	50.68"	53.00"	50.50"	50.68"	53.00"		
Nominal Under Ride/ Overhang		11R22.5 Tires: 17.42" 11R24.5 Tires: 16.42"	11R22.5 Tires: 14.67" 11R24.5 Tires: 13.67"	11R22.5 Tires: 13.51" 11R24.5 Tires: 12.51"	11R22.5 Tires: 20.17" 11R24.5 Tires: 19.17"	11R22.5 Tires: 17.58" 11R24.5 Tires: 16.58"	11R22.5 Tires: 16.42" 11R24.5 Tires: 15.42"	11R22.5 Tires: 18.54" 11R24.5 Tires: 17.54"	11R22.5 Tires: 15.94" 11R24.5 Tires: 14.94"	11R22.5 Tires: 14.78" 11R24.5 Tires: 13.78"	11R22.5 Tires: 17.73" 11R24.5 Tires: 16.73"	11R22.5 Tires: 15.16" 11R24.5 Tires: 14.16"	11R22.5 Tires: 14.00" 11R24.5 Tires: 13.00"	11R22.5 Tires: 10.43" 11R24.5 Tires: 9.43"	11R22.5 Tires: 7.86" 11R24.5 Tires: 6.86"	11R22.5 Tires: 6.70" 11R24.5 Tires: 5.70"	11R22.5 Tires: 10.54" 11R24.5 Tires: 9.54"	11R22.5 Tires: 7.97" 11R24.5 Tires: 6.97"	11R22.5 Tires: 6.81" 11R24.5 Tires: 5.81"		
GAWR for Axle (T-Spindle for All)		<b>25k</b>	<b>25k</b>	<b>30k</b>	<b>25k</b>	<b>25k</b>	<b>30k</b>	<b>25k</b>	<b>25k</b>	<b>30k</b>	<b>25k</b>	<b>25k</b>	<b>30k</b>	<b>25k</b>	<b>25k</b>	<b>30k</b>	<b>25k</b>	<b>25k</b>	<b>30k</b>		

## STANDARD FOR ALL MODELS

Tub	Chassis	Tailgate
Sidewall Height (SH): 56"	Tandem Axle	Material: 3/16" HARDOX® 450
Top Rail (RB): 6" x 3" x 0.188"	Draft Arms on All Single Point, 4" x 4" x 0.250" on all Air Ride	
Mudflaps: Across rear of chassis	Tire Width: 96"	
Side Fenders · ALUM/SS/STEEL - FULL LENGTH · ALUM/SS/STEEL - SPLIT OR REAR ONLY	Lift Cylinder: Hyva A8-5-169 Hyva A8-5-190 Hyva A8-5-213 Hyva A8-5-230	
Unloaded Height <sup>2</sup> : 113" - 116"	King Pin/5th Wheel Plate Thickness: 3/8"	
Front Ladder and Rear Ladder on Driver's side	ABS: 2S/1M	

## OPTIONS FOR ALL MODELS

Tub	Chasis	Tailgate
Floor Thickness (RB): 0.188" or 0.250"	Suspension: Air Ride or Single Point	Gate Angle: Sloped (19 Degree) or Straight - Note Round Bottom 23' and 26' Length variants do not offer a straight back configuration
Floor Thickness (FB): 0.250" or 0.313"	Landing Gear (2 speed): 2-SPEED -OR- Stifflegs	Lift Options: Hydraulic or Pneumatic Highlift or Swing Gate
Sidewall Thickness: .188" or 0.250"	Coal Chute	
Floor Support (on certain models only) <sup>1</sup> STD or HD		

- 1 - Floor support defined by crossmember sizing C4 x 5.4# Channel for stanard or 4" x 4" x 1/4" Structural Steel Tubing for Heavy Duty
- 2 - Overall height varies depending on tire options, +/- 0.5"
- 3 - Last 3 digits indicate stroke length in Inches - Cylinder is non-optionable but varies depending on length
- 4 - Top rail has 0.250" thick walls on all Flat-Bottom models 26' and longer
- 5 - Weight as configured within 3%

ALL SPECS TO BE CONSIDERED REFERENCE, CONFIRM WITH YOUR SALESPERSON ON FINAL QUOTE SHEET

Ask your salesperson about tarps, steerable axles, and lift axle add ons.

MTM TRAILER MFG, LLC

708-831-2090

MTMTRAILERS.COM



**MTMTRAILERS.COM**